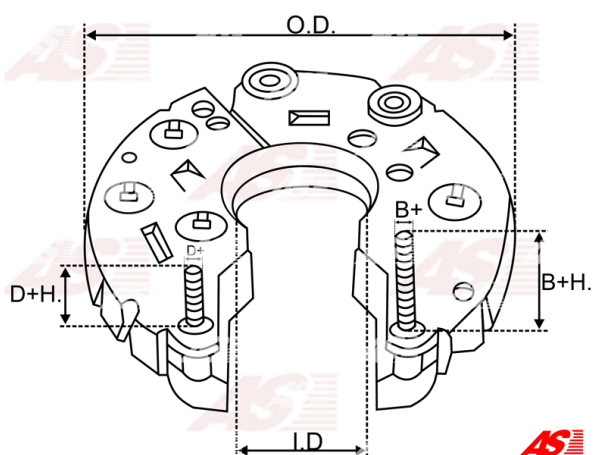


Dane

index AS	ARC2007
Kategoria	Prostowniki do alternatorów
Producent	AS-PL
Zamiennik dla	Hitachi

Cechy produktu

O.D.	111
I.D.	51.5
Diode Amp.	35
Diodes	6



Numer referencyjny (21)

Numer	Producent
131601	CARGO
CRC20111AS	CASCO
CQ1080601	CQ
L150M-13201	HITACHI
L150M-13202	HITACHI
L155M-13202	HITACHI
139613	HUCO
21511101	LUCAS
UBJ100	LUCAS
RH-07	MOBILETRON
RH-07C	MOBILETRON
23137-Y7502	NISSAN
23137-Y7503	NISSAN
81114673	POWERMAX
1104-006RS	RS
REC-664	UNIPOINT
REC-664L	UNIPOINT
31-8111	WAI / TRANSPO
IHR712	WAI / TRANSPO
IHR712HD	WAI / TRANSPO
RTF49814	WOODAUTO

Zastosowania

HITACHI

Nr referencyjny	Producent
LR15030B	HITACHI
LT140105	HITACHI
LT140106	HITACHI
LT140106B	HITACHI
LT140106C	HITACHI
LT140107C	HITACHI
LT140107E	HITACHI
LT15040	HITACHI
LT15057	HITACHI
LT15057E	HITACHI
LT15508	HITACHI
LT15508B	HITACHI
LT15508C	HITACHI
LT15509C	HITACHI
LT22554B	HITACHI
LT22560C	HITACHI
LT25554B	HITACHI