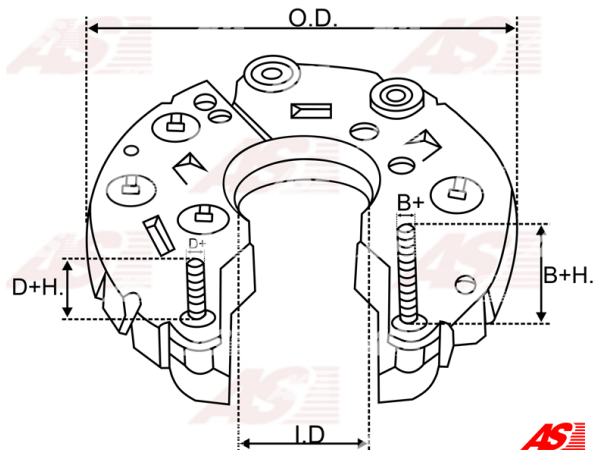
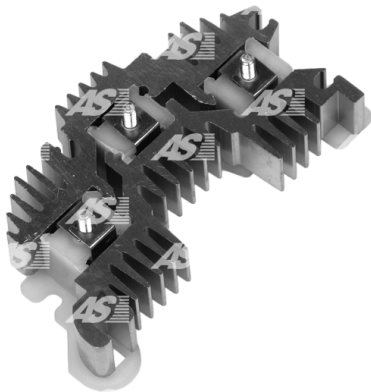


## Dane

index AS	ARC1015
Kategoria	Prostowniki do alternatorów
Producent	AS-PL
Zamiennik dla	Delco

## Cechy produktu

O.D.	102.5
Mounting dist.	85
Diode Amp.	50
Diodes	6



## Numer referencyjny (11)

Numer	Producent
231061	CARGO
CQ1080441	CQ
10469265	DELCO
D3929	DELCO
RD-06	MOBILETRON
RD-07	MOBILETRON
81113317	POWERMAX
1102-012RS	RS
DR5174	WAI / TRANSPO
DR5174PF	WAI / TRANSPO
RTF39825	WOODAUTO

## Zastosowania

### DELCO

Nr referencyjny	Producent
10456332	DELCO
10463033	DELCO
10463081	DELCO
10463156	DELCO
10463201	DELCO
10479884	DELCO
10497109	DELCO

10497110	DELCO
1101238	DELCO
1101250	DELCO
1101623	DELCO
1101849	DELCO
1105625	DELCO
1105626	DELCO
1117891	DELCO
1117898	DELCO
1117913	DELCO
1117914	DELCO
1117932	DELCO
1117946	DELCO
1117965	DELCO
1117966	DELCO
19010112	DELCO
19010178	DELCO
19010180	DELCO
19010197	DELCO
19011150	DELCO
19011151	DELCO
19011152	DELCO
19011154	DELCO
19011155	DELCO
19011156	DELCO
19011157	DELCO
19011158	DELCO
19011159	DELCO
19011160	DELCO
19011161	DELCO
19011162	DELCO
19011167	DELCO
19011169	DELCO
19011170	DELCO
19011171	DELCO
19011172	DELCO
19011177	DELCO
19011213	DELCO
19020300	DELCO
19020305	DELCO
19020308	DELCO
321274	DELCO
321299	DELCO
321331	DELCO
321372	DELCO
321447	DELCO
321492	DELCO