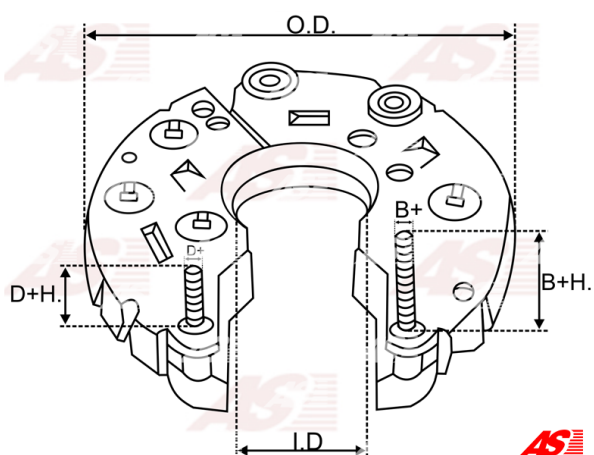
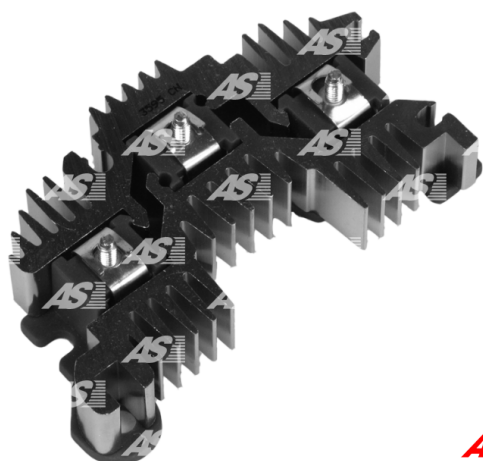


Dane

index AS	ARC1014
Kategoria	Prostowniki do alternatorów
Producent	AS-PL
Zamiennik dla	Delco

Cechy produktu

O.D.	102
Diode Amp.	50
Diodes	6



Numer referencyjny (11)

Numer	Producent
131877	CARGO
CRC60104AS	CASCO
CQ1080049	CQ
1988976	DELCO
D3987	DELCO
RD-06	MOBILETRON
81111349	POWERMAX
1102-011RS	RS
DR5173	WAI / TRANSPO
DR5173PF	WAI / TRANSPO
RTF39825	WOODAUTO

Zastosowania

DELCO

Nr referencyjny	Producent
10459013	DELCO
10459017	DELCO
10459042	DELCO
10459043	DELCO
10479864	DELCO
10479868	DELCO
10479870	DELCO

10479915	DELCO
1101215	DELCO
1105585	DELCO
1105613	DELCO
1105658	DELCO
1105680	DELCO
1105683	DELCO
1105690	DELCO
1117839	DELCO
1117880	DELCO
1117881	DELCO
1117885	DELCO
1117886	DELCO
1117887	DELCO
1117890	DELCO
1117892	DELCO
1117894	DELCO
1117897	DELCO
1117900	DELCO
1117901	DELCO
1117905	DELCO
1117906	DELCO
1117910	DELCO
1117912	DELCO
1117915	DELCO
1117923	DELCO
1117925	DELCO
1117931	DELCO
1117939	DELCO
1117940	DELCO
1117941	DELCO
1117942	DELCO
1117944	DELCO
1117947	DELCO
1117950	DELCO
1117951	DELCO
1117953	DELCO
1117954	DELCO
1117955	DELCO
1117956	DELCO
19009957	DELCO
19010100	DELCO
19010103	DELCO
19010105	DELCO
19010108	DELCO
19010111	DELCO
19010118	DELCO
19010136	DELCO
19010154	DELCO
19010155	DELCO
19010157	DELCO
19010158	DELCO
19010159	DELCO
19010160	DELCO
19010181	DELCO
19010182	DELCO
19010185	DELCO
19010190	DELCO
19010193	DELCO

19010200	DELCO
19011153	DELCO
19011168	DELCO
19020307	DELCO
19020346	DELCO
19020366	DELCO
19020376	DELCO
19020382	DELCO
19020383	DELCO
19020391	DELCO

VALEO

Nr referencyjny	Producent
2541899	VALEO
2541981	VALEO
2541982	VALEO
2542365	VALEO
A13VI171	VALEO
A13VI265	VALEO