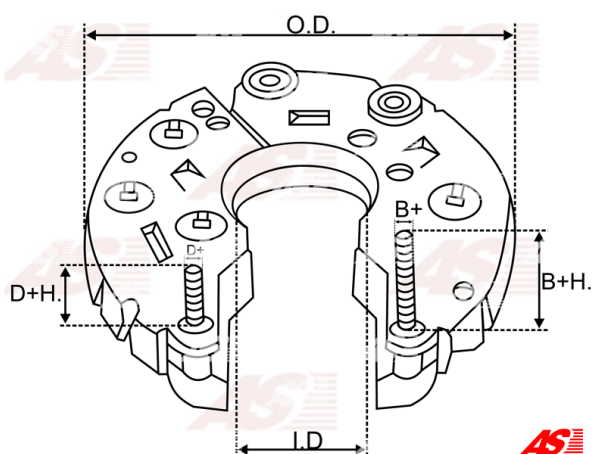


## Dane

index AS	ARC1004
Kategoria	Prostowniki do alternatorów
Producent	AS-PL
Zamiennik dla	Delco

## Cechy produktu

B+H.	15.5
B+thread	M6
O.D.	116
I.D.	33
Mounting dist.	85
Diode Amp.	60
Diodes	6



## Numer referencyjny (12)

Numer	Producent
232668	CARGO
CQ1080316	CQ
10494503	DELCO
1116526	POWERMAX
81116526	POWERMAX
1102-004RS	RS
31-134	WAI / TRANSCO
DR4400	WAI / TRANSCO
DR4402HD	WAI / TRANSCO
DR4402HD-3	WAI / TRANSCO
DR4402HD-B100	WAI / TRANSCO
RTF39947	WOODAUTO

## Zastosowania

### DELCO

Nr referencyjny	Producent
10327068	DELCO
10327069	DELCO
10442782	DELCO

10442783	DELCO
10464404	DELCO
10464421	DELCO
10464438	DELCO
10464439	DELCO
10464451	DELCO
10464455	DELCO
10464459	DELCO
10464474	DELCO
10464475	DELCO
10464478	DELCO
10464481	DELCO
10464483	DELCO
10464484	DELCO
10464490	DELCO
10464491	DELCO
10480229	DELCO
10480234	DELCO
10480241	DELCO
10480244	DELCO
10480271	DELCO
10480303	DELCO
10480326	DELCO
10480327	DELCO
10480341	DELCO
10480357	DELCO
10480368	DELCO
10480388	DELCO
10480411	DELCO
10480428	DELCO
10480479	DELCO
10480497	DELCO
15087020	DELCO
15087021	DELCO
15087023	DELCO
15755616	DELCO
15768829	DELCO
15769252	DELCO
25744164	DELCO