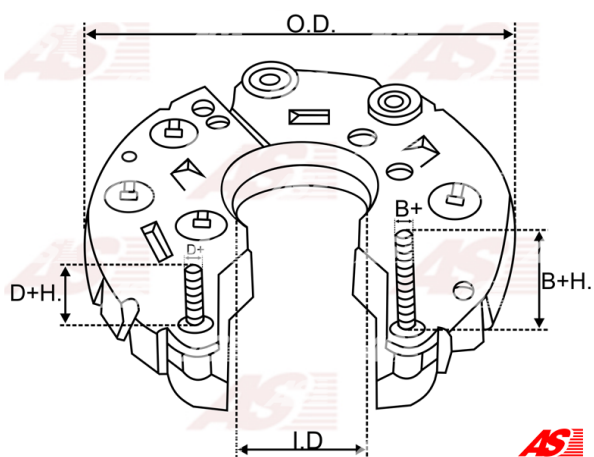


Dane

index AS	ARC0041
Kategoria	Prostowniki do alternatorów
Producent	AS-PL
Zamiennik dla	Bosch

Cechy produktu

B+H.	23
B+thread	M8
O.D.	124.5
I.D.	23
Mounting dist.	65
D+H.	11
D+thread	M5
Diode Amp.	50
Diodes	14
Źródło	Y



Numer referencyjny (19)

Numer	Producent
UD01016ARC	AS-PL
1127011134	BOSCH
1127319031	BOSCH
1127319637	BOSCH
1127319639	BOSCH
1127320639	BOSCH
1127320834	BOSCH
135605	CARGO
CRC10110AS	CASCO
CQ1080398	CQ
940038214	MAGNETI MARELLI
81115650	POWERMAX
1101-039RS	RS
REC-262	UNIPOINT
31-9126	WAI / TRANSPO
IBR304	WAI / TRANSPO
IBR304HD	WAI / TRANSPO
IBR834	WAI / TRANSPO
RTF39796	WOODAUTO

Zastosowania

BOSCH

Nr referencyjny	Producent
0120465003	BOSCH
0120465004	BOSCH
0120465013	BOSCH
0120465014	BOSCH
0120465015	BOSCH
0120465016	BOSCH
0120465017	BOSCH
0120488140	BOSCH
0120488141	BOSCH
0120488207	BOSCH
0120488222	BOSCH
0120488223	BOSCH
0120488275	BOSCH
0120488276	BOSCH
0120489253	BOSCH
0120489254	BOSCH
0120489279	BOSCH
0120489881	BOSCH
0120489882	BOSCH
0120489997	BOSCH
0123500001	BOSCH
0123510002	BOSCH
0123510012	BOSCH
0123510016	BOSCH
0123510022	BOSCH
0123510096	BOSCH
0123540002	BOSCH
0123540003	BOSCH
0123540004	BOSCH
0123545004	BOSCH