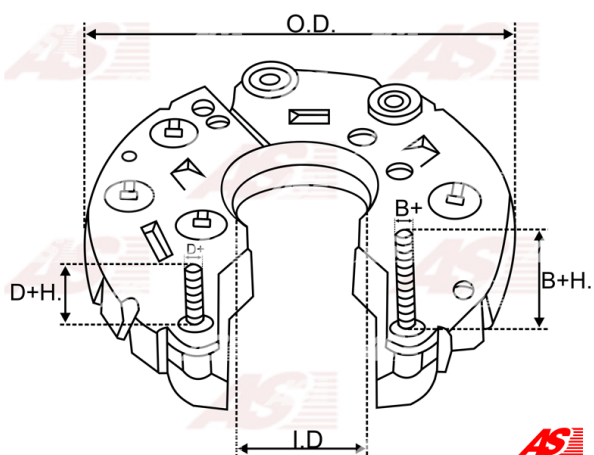
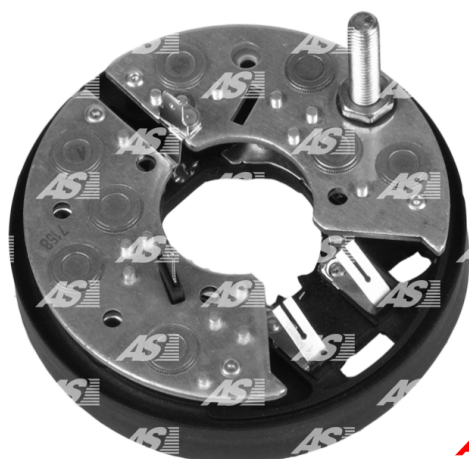


Dane

index AS	ARC0039
Kategoria	Prostowniki do alternatorów
Producent	AS-PL
Zamiennik dla	Bosch

Cechy produktu

B+H.	30
B+thread	M8
O.D.	114
I.D.	36
Diode Amp.	35
Diodes	8



Numer referencyjny (19)

Numer	Producent
F005A10059	ASHDOWN INGRAM
9120067027	BOSCH
9121067364	BOSCH
9121067371	BOSCH
9121067374	BOSCH
9121067375	BOSCH
9121067385	BOSCH
9121067388	BOSCH
9121067394	BOSCH
136591	CARGO
CRC10124AS	CASCO
16-1002	CIVIC/DA PARTS
CQ1080142	CQ
81112147	POWERMAX
1101-037RS	RS
REC-219	UNIPOINT
REC-220	UNIPOINT
IBR308	WAI / TRANSPO
RTF39732	WOODAUTO

Zastosowania

BOSCH

Nr referencyjny	Producent
0120484030	BOSCH
0120484031	BOSCH
0120484032	BOSCH
0120484033	BOSCH
0120484034	BOSCH
0120484036	BOSCH
0120484039	BOSCH
0120484042	BOSCH
0120488296	BOSCH
0120488297	BOSCH
9120060009	BOSCH
9120060023	BOSCH
9120060027	BOSCH
9120144295	BOSCH