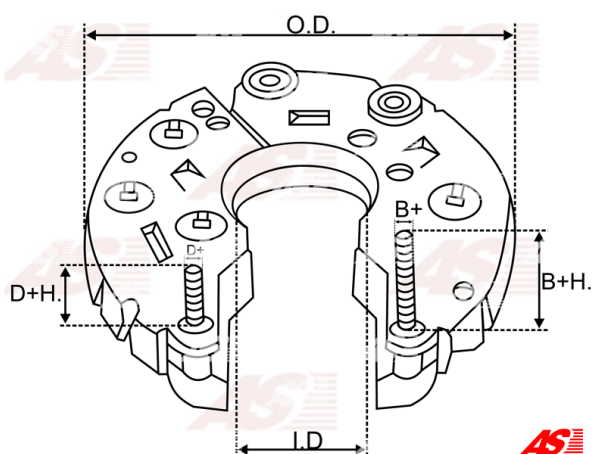


Dane

| | |
|---------------|----------------------------|
| index AS | ARC0018 |
| Kategoria | Prstowniki do alternatorów |
| Producent | AS-PL |
| Zamiennik dla | Bosch |

Cechy produktu

| | |
|----------------|------|
| B+H. | 31.5 |
| B+thread | M8 |
| O.D. | 120 |
| I.D. | 36 |
| Mounting dist. | 65 |
| Diode Amp. | 35 |
| Diodes | 8 |



Numer referencyjny (10)

| Numer | Producent |
|------------|---------------|
| 1127320701 | BOSCH |
| 232172 | CARGO |
| CQ1080438 | CQ |
| CQ1080674 | CQ |
| RB-76H | MOBILETRON |
| 81110524 | POWERMAX |
| 1101-018RS | RS |
| REC-233 | UNIPOINT |
| IBR350 | WAI / TRANSPO |
| RTF39723 | WOODAUTO |

Zastosowania

BOSCH

| Nr referencyjny | Producent |
|-----------------|-----------|
| 0120469501 | BOSCH |
| 0120469539 | BOSCH |
| 0120469601 | BOSCH |
| 0120469602 | BOSCH |
| 0120469604 | BOSCH |

| | |
|------------|-------|
| 0120469605 | BOSCH |
| 0120469637 | BOSCH |
| 0120469638 | BOSCH |
| 0120469654 | BOSCH |
| 0120469674 | BOSCH |
| 0120469675 | BOSCH |
| 0120469701 | BOSCH |
| 0120469702 | BOSCH |
| 0120469703 | BOSCH |
| 0120469704 | BOSCH |
| 0120469705 | BOSCH |
| 0120469706 | BOSCH |
| 0120469707 | BOSCH |
| 0120469711 | BOSCH |
| 0120469714 | BOSCH |
| 0120469717 | BOSCH |
| 0120469718 | BOSCH |
| 0120469719 | BOSCH |
| 0124225055 | BOSCH |
| 0986036790 | BOSCH |
| 0986038100 | BOSCH |
| F004225000 | BOSCH |
| F004225100 | BOSCH |