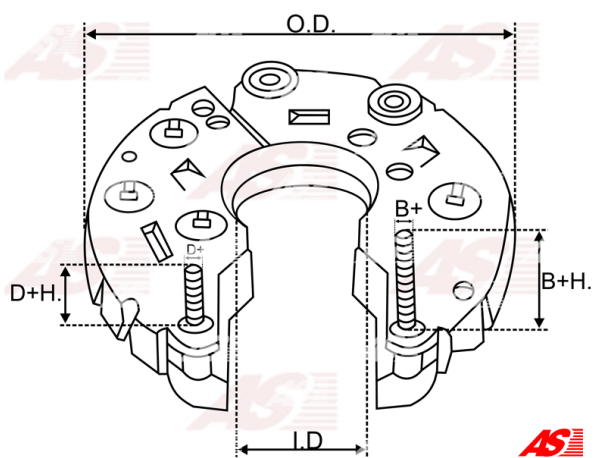
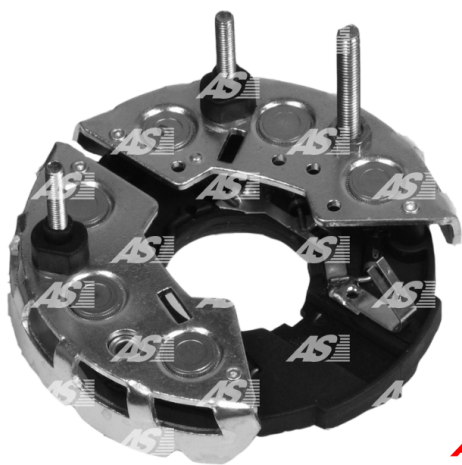


Dane

index AS	ARC0011
Kategoria	Prostowniki do alternatorów
Producent	AS-PL
Zamiennik dla	Bosch

Cechy produktu

B+H.	34.5
B+thread	M6
O.D.	112
I.D.	36.5
D+H.	17.5
D+thread	M5
Diode Amp.	50
Diodes	6



Numer referencyjny (15)

Numer	Producent
9121147302	BOSCH
133997	CARGO
CQ1080659	CQ
139121	HUCO
UBB423	LUCAS
940038203	MAGNETI MARELLI
RB-17	MOBILETRON
RB-17H	MOBILETRON
1115452	POWERMAX
81115452	POWERMAX
1101-011RS	RS
REC-204	UNIPOINT
IBR320	WAI / TRANSPO
IBR320-1	WAI / TRANSPO
RTF39721	WOODAUTO

Zastosowania

BOSCH

Nr referencyjny	Producent
0120488000	BOSCH
0120488001	BOSCH
0120488002	BOSCH
0120488003	BOSCH
0120488004	BOSCH
0120488005	BOSCH
0120488006	BOSCH
0120488007	BOSCH
0120488008	BOSCH
0120488009	BOSCH
0120488010	BOSCH
0120488011	BOSCH
0120488012	BOSCH
0986034450	BOSCH
9120144292	BOSCH
9120144305	BOSCH
9120144605	BOSCH
9120144606	BOSCH
9120144608	BOSCH
9120144609	BOSCH
9120144610	BOSCH
9120144611	BOSCH
9120144612	BOSCH
9120144613	BOSCH
9120144614	BOSCH
9120144617	BOSCH
9120144618	BOSCH
9120144621	BOSCH
9120144622	BOSCH
9120144626	BOSCH
9120144628	BOSCH
9120144635	BOSCH
9120334313	BOSCH
9120334314	BOSCH
9120334320	BOSCH
9120334322	BOSCH
9120334326	BOSCH
9120334327	BOSCH
9120334625	BOSCH
9120334626	BOSCH
9120334627	BOSCH
9120334628	BOSCH
9120334635	BOSCH
9120334636	BOSCH
9120334638	BOSCH
9120334639	BOSCH
9120334640	BOSCH
9120334643	BOSCH

HONDA

Nr referencyjny	Producent
AHGA03	HONDA