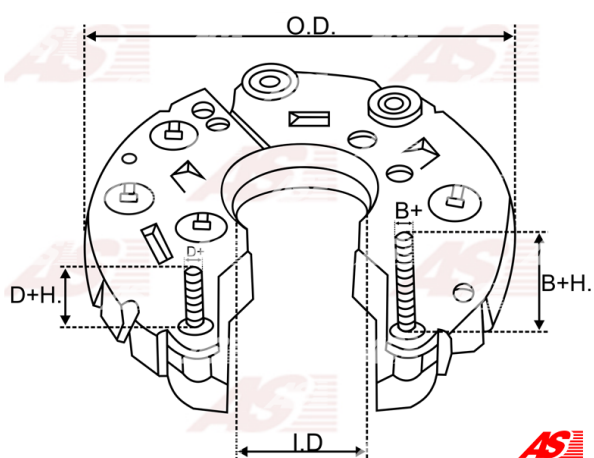


## Dane

|               |                             |
|---------------|-----------------------------|
| index AS      | ARC0006                     |
| Kategoria     | Prostowniki do alternatorów |
| Producent     | AS-PL                       |
| Zamiennik dla | Bosch                       |

## Cechy produktu

|            |      |
|------------|------|
| B+H.       | 34   |
| B+thread   | M6   |
| O.D.       | 114  |
| I.D.       | 35.5 |
| D+H.       | 20   |
| D+thread   | M5   |
| Diode Amp. | 35   |
| Diodes     | 6    |



## Numer referencyjny (27)

| Numer      | Producent  |
|------------|------------|
| 1127011098 | BOSCH      |
| 1127011101 | BOSCH      |
| 1127320339 | BOSCH      |
| 1127320344 | BOSCH      |
| 1127320363 | BOSCH      |
| 1127320366 | BOSCH      |
| 1127320367 | BOSCH      |
| 1127320545 | BOSCH      |
| 1127320546 | BOSCH      |
| 1127320594 | BOSCH      |
| 1127320599 | BOSCH      |
| 9121080963 | BOSCH      |
| 133138     | CARGO      |
| CRC10600AS | CASCO      |
| CQ1080078  | CQ         |
| 19025228   | DELCO      |
| 139114     | HUCO       |
| UBB418     | LUCAS      |
| RB-08H     | MOBILETRON |
| 1111176    | POWERMAX   |
| 8111176    | POWERMAX   |
| 1101-006RS | RS         |

|            |               |
|------------|---------------|
| 1101-013RS | RS            |
| REC-2203   | UNIPOINT      |
| IBR313     | WAI / TRANSPO |
| IBR325     | WAI / TRANSPO |
| RTF3979B   | WOODAUTO      |

## Zastosowania

### BOSCH

| Nr referencyjny | Producent |
|-----------------|-----------|
| 0120488224      | BOSCH     |
| 0120489027      | BOSCH     |
| 0120489053      | BOSCH     |
| 0120489192      | BOSCH     |
| 0120489230      | BOSCH     |
| 0120489387      | BOSCH     |
| 0120489388      | BOSCH     |
| 0120489684      | BOSCH     |
| 0120489702      | BOSCH     |
| 0120489707      | BOSCH     |
| 0120489710      | BOSCH     |
| 0120489723      | BOSCH     |
| 0120489726      | BOSCH     |
| 0120489727      | BOSCH     |
| 0120489733      | BOSCH     |
| 0120489757      | BOSCH     |
| 0986030660      | BOSCH     |
| 0986031190      | BOSCH     |
| 0986031230      | BOSCH     |
| 0986031250      | BOSCH     |
| 0986031251      | BOSCH     |
| 0986031260      | BOSCH     |
| 0986031290      | BOSCH     |
| 0986031310      | BOSCH     |
| 0986031330      | BOSCH     |
| 0986033510      | BOSCH     |
| 0986033570      | BOSCH     |
| 0986034210      | BOSCH     |
| 0986034350      | BOSCH     |
| 9120144122      | BOSCH     |
| 9120144123      | BOSCH     |
| 9120144125      | BOSCH     |
| 9120144127      | BOSCH     |
| 9120144130      | BOSCH     |
| 9120144131      | BOSCH     |
| 9120144132      | BOSCH     |
| 9120144133      | BOSCH     |
| 9120334137      | BOSCH     |
| 9120690079      | BOSCH     |

### DELCO

| Nr referencyjny | Producent |
|-----------------|-----------|
| 19025075        | DELCO     |