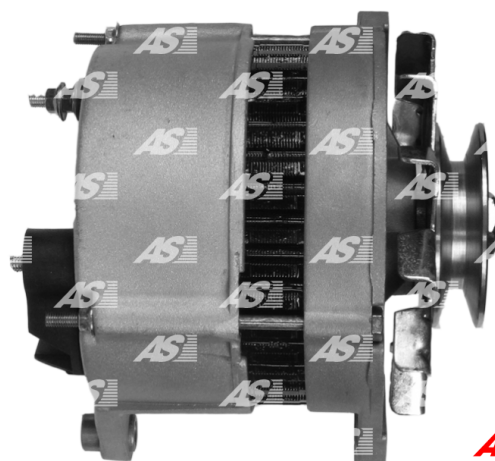


## Dane

index AS	A4013
Kategoria	Alternatory
Producent	AS-PL
Zamiennik dla	Lucas

## Cechy produktu

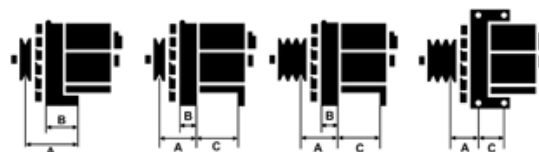
Rozmiar A [ mm ]	35
Rozmiar B [ mm ]	11
Rozmiar C [ mm ]	83
Napięcie [ V ]	12
Natężenie [ A ]	70



B+

D+

W



## Numer referencyjny (73)

Numer	Producent
AEA1228	AUTOELECTRO
AEA3183	AUTOELECTRO
AEA5117	AUTOELECTRO
0986036048	BOSCH
111176	CARGO
CAL25100AS	CASCO
CAL25100GS	CASCO
2354	CEVAM
4905	CEVAM
DRA3274	DELCO
DRA3277	DELCO
DRA3777	DELCO
EAA-221116	EAA
56266	EAI
28-2557	ELSTOCK
1659058	FORD
5027845	FORD
86AA10300AAA	FORD
86AB10300AA	FORD
86AB10300AAA	FORD

R86AX10300AAA	FORD
V89AB10300AA	FORD
9036041	FRIESEN
CA560IR	HC PARTS
8EL011710-971	HELLA
8EL725851-001	HELLA
32001205	HERTH+BUSS
11.0560	LAUBER
24217	LUCAS
24217A	LUCAS
24217B	LUCAS
24217E	LUCAS
24217F	LUCAS
24221	LUCAS
54022187	LUCAS
54022187B	LUCAS
54022187D	LUCAS
54022198	LUCAS
54022251	LUCAS
54022275	LUCAS
54022281	LUCAS
54022312	LUCAS
54022317	LUCAS
54022474	LUCAS
54022570	LUCAS
54022584	LUCAS
54022611	LUCAS
54022614	LUCAS
54022652	LUCAS
54022716	LUCAS
LRA00496	LUCAS
LRA00517	LUCAS
LRA02762	LUCAS
LRB00128	LUCAS
89213244	POWERMAX
9213244	POWERMAX
66021555	PRESTOLITE
YLE10105	ROVER
YLE102200	ROVER
1015-013RS	RS
SA473	SOVEREIGN
SA481	SOVEREIGN
SA501	SOVEREIGN
SA534	SOVEREIGN
SA556	SOVEREIGN
SA752	SOVEREIGN
SA766	SOVEREIGN
437380	VALEO
VA231	VALEO
VA323	VALEO
12072N-1G	WAI / TRANSPON
13163N	WAI / TRANSPON
21183N	WAI / TRANSPON

## Zastosowania

**FORD**

Marka	Model	Typ	Rok	Uwagi
FORD	Escort 1.6 Diesel	[LTC]	10.1987-08.1988	
FORD	Fiesta 1.4	[F4A]	01.1994-12.1996	
FORD	Fiesta 1.4	[F6E]	03.1989-12.1995	
FORD	Fiesta 1.4	[FUG]	03.1989-12.1995	
FORD	Fiesta 1.4	[FUJ]	03.1989-12.1995	
FORD	Fiesta 1.6	[LUH]	01.1989-01.1994	
FORD	Fiesta 1.6 Turbo	[LHA]	03.1990-10.1992	
FORD	Fiesta 1.6 XR2i	[LJC]	03.1989-12.1995	
FORD	Fiesta 1.6 XR2i	[LJD]	03.1989-12.1995	

**LAND ROVER**

Marka	Model	Typ	Rok	Uwagi
LAND ROVER	Defender 2.5 TDi 90	[23L]	09.1990-12.2001	
LAND ROVER	Defender 2.5 TDi 90, 110	[23L]	09.1990-12.2001	
LAND ROVER	Range Rover 2.4 Diesel	[11A]	04.1986-12.1990	