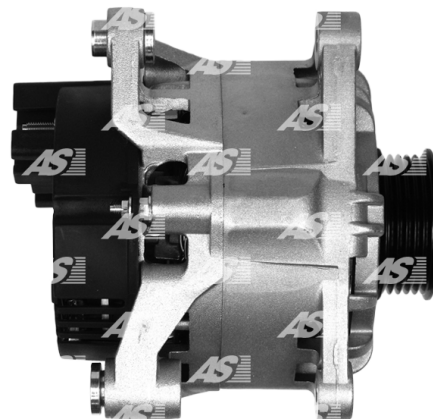
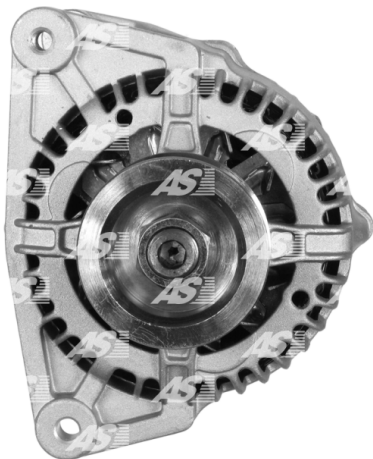


## Dane

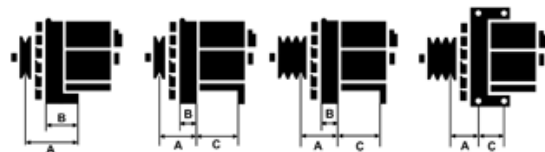
index AS	A4005
Kategoria	Alternatory
Producent	AS-PL
Zamiennik dla	Magneti Marelli

## Cechy produktu

Rozmiar A [ mm ]	33.5
Rozmiar B [ mm ]	14
Rozmiar C [ mm ]	69
Napięcie [ V ]	12
Natężenie [ A ]	70



B+ D+ W



## Numer referencyjny (64)

Numer	Producent
UD804908(DENSO)A	AS-PL
0986044631	BOSCH
112121	CARGO
CAL30106	CASCO
CAL30106AS	CASCO
CAL30106GS	CASCO
4568	CEVAM
DRA3536	DELCO
DAN047	DENSO
EAA-221083	EAA
56521	EAI
28-2662	ELSTOCK
210010	ERA
1001869	FORD
1015821	FORD
1032139	FORD
1066047	FORD
1066407	FORD
1071383	FORD
1107446	FORD

1136152	FORD
1406095	FORD
96FF10300DB	FORD
96FF10300DC	FORD
97AB10300AA	FORD
97AB10300AB	FORD
97AB10300AC	FORD
97AB10300AD	FORD
97AB10300AE	FORD
R97AB10300AD	FORD
R97AB10300AE	FORD
9090041	FRIESEN
AG0207	GHIBAUDI
CA1217IR	HC PARTS
8EL011710-211	HELLA
8EL737285-001	HELLA
32044631	HERTH+BUSS
11.1217	LAUBER
LRB00243	LUCAS
063341730010	MAGNETI MARELLI
63321244	MAGNETI MARELLI
63321669	MAGNETI MARELLI
63321691	MAGNETI MARELLI
63321724	MAGNETI MARELLI
63321730	MAGNETI MARELLI
63321730A	MAGNETI MARELLI
63321730B	MAGNETI MARELLI
63341244	MAGNETI MARELLI
63341669	MAGNETI MARELLI
63341691	MAGNETI MARELLI
63341724	MAGNETI MARELLI
63341730	MAGNETI MARELLI
944390900410	MAGNETI MARELLI
1E07-18-300	MAZDA
1E12-18-300	MAZDA
89213015	POWERMAX
9213015	POWERMAX
20110243	PRESTOLITE
595.518.070	PSH
1015-005RS	RS
437756	VALEO
746033	VALEO
21243N	WAI / TRANSPO
ALT12011	WOODAUTO

## Zastosowania

### FORD

Marka	Model	Typ	Rok	Uwagi
FORD	Escort 1.8 Diesel	[RTH]	01.1995-02.1999	
FORD	Escort 1.8 TD	[RFD]	01.1997-09.2001	
FORD	Escort 1.8 TD	[RFK]	01.1995-09.2001	PS
FORD	Escort 1.8 TD	[RFK]	01.1997-09.2001	
FORD	Escort 1.8 TD	[RVA]	01.1997-09.2001	PS
FORD	Escort 1.8 TD Express	[RVA]	01.1997-06.2001	PS
FORD	Fiesta 1.8 Diesel	[RTJ]	10.1995-04.2000	

FORD	Fiesta 1.8 Diesel	[RTK]	01.1996-10.2000	
------	-------------------	-------	-----------------	--

**MAZDA**

Marka	Model	Typ	Rok	Uwagi
MAZDA	121 1.8 Diesel	[RTJ]	03.1996-	
MAZDA	121 1.8 Diesel	[RTK]	03.1996-	