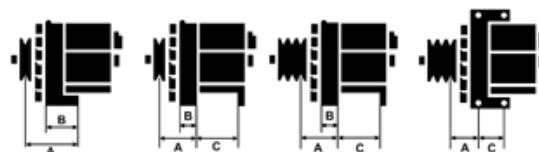
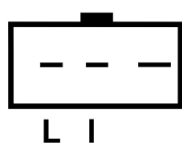
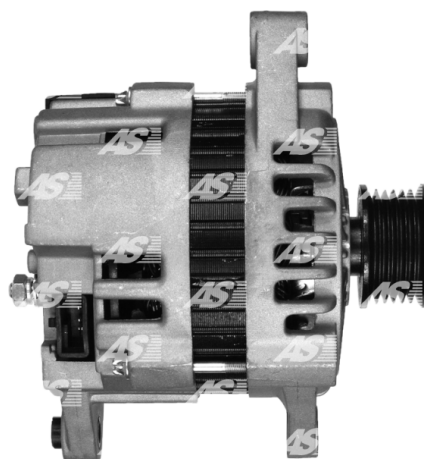
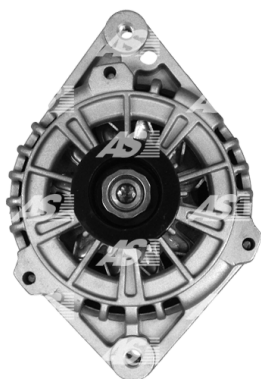


## Dane

|               |             |
|---------------|-------------|
| index AS      | A1005       |
| Kategoria     | Alternatory |
| Producent     | AS-PL       |
| Zamiennik dla | Delco       |

## Cechy produktu

|                  |    |
|------------------|----|
| Rozmiar A [ mm ] | 37 |
| Rozmiar B [ mm ] | 13 |
| Rozmiar C [ mm ] | 81 |
| Napięcie [ V ]   | 12 |
| Natężenie [ A ]  | 85 |



## Numer referencyjny (24)

| Numer         | Producent  |
|---------------|------------|
| 113349        | CARGO      |
| CAL46105AS    | CASCO      |
| CAL46105GS    | CASCO      |
| 96190262      | DAEWOO     |
| 96221945      | DAEWOO     |
| 96258990      | DAEWOO     |
| 96288095      | DAEWOO     |
| 219138        | DELCO      |
| 219202        | DELCO      |
| DRA4137       | DELCO      |
| DRA4137N      | DELCO      |
| EAA-221229    | EAA        |
| 56952         | EAI        |
| 28-3507       | ELSTOCK    |
| CA1672IR      | HC PARTS   |
| 8EL737998-001 | HELLA      |
| 11.1672       | LAUBER     |
| LRA01732      | LUCAS      |
| 9212420       | POWERMAX   |
| 20130203      | PRESTOLITE |

|            |               |
|------------|---------------|
| 1012-005RS | RS            |
| 437828     | VALEO         |
| 22732N     | WAI / TRANSP0 |
| ALT40166   | WOODAUTO      |

## Zastosowania

### CHEVROLET

| Marka     | Model          | Typ      | Rok      | Uwagi |
|-----------|----------------|----------|----------|-------|
| CHEVROLET | Nubira 1.6 16V | [A16DMS] | 05.1997- |       |

### DAEWOO

| Marka  | Model          | Typ      | Rok      | Uwagi |
|--------|----------------|----------|----------|-------|
| DAEWOO | Nubira 1.6 16V | [A16DMS] | 05.1997- |       |